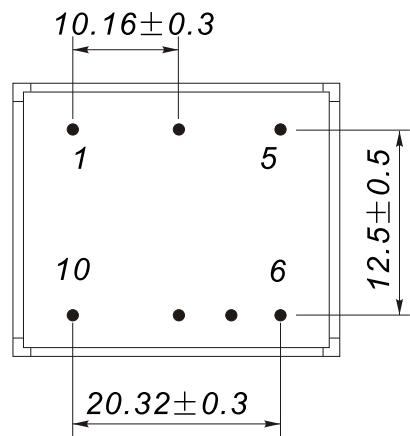
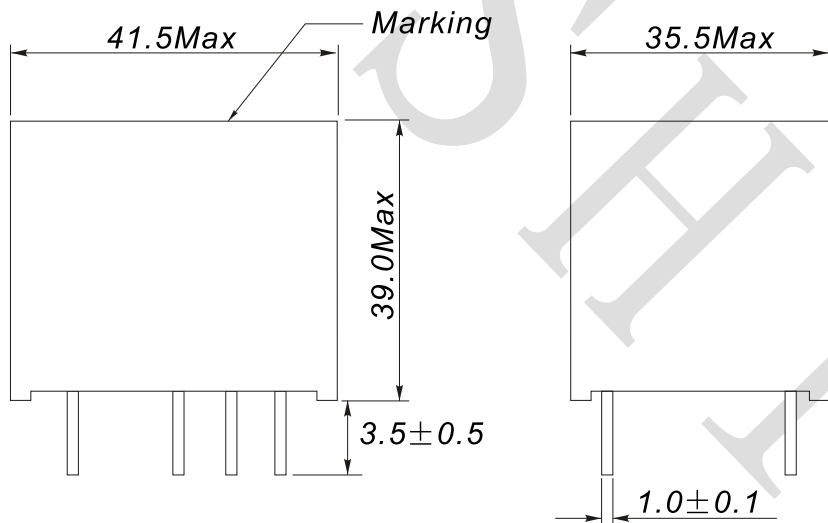


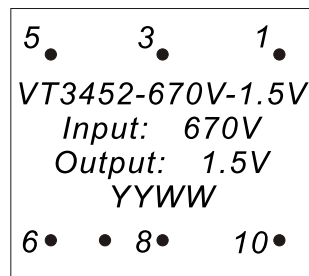


1. PHYSICAL CHARACTERISTICS (mm)

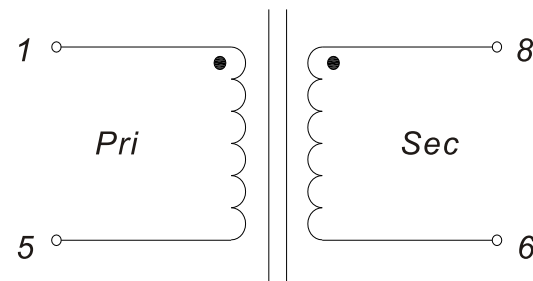


Bottom view

Marking



2. ELECTRONICAL SCHEMATIC



3. ELECTRONICAL SPECIFICATIONS

- Input voltage: 670V
- Output voltage: 1.5V
- Excitation current: 0.5mA Max
- Accuracy class: 0.2
- Phase error: $\leq 20'$ @670V
- Linearity: 5% to 120% @670V
- Isolation voltage: 2500Vac, 1min
- Dielectric resistance: 100M Ω , 500Vdc
- Operating temperature: -25°C to +55°C

NOTES:

Temp 20°C 48%RH
RoHS Compliant

NAME:	Voltage transformer		
CUSTOMER P/N:		DATE:	2014-01-27
SHINHOM P/N:	VT3452-670V-1.5V	REV:	A0
DRAWN BY:		CHECKED BY:	APPROVE BY:
			PAGE



SHINHOM

SHAANXISHINHOM ENTERPRISE CO LTD

The Document property belong to SHINHOM & is not allowed to be duplicated without authorization